

# KW-FFT2-A/B [A:AC ,B:Battery]

TANDEM FILLET WELDER, FLOOR TRAVEL, DUAL TORCH, STITCH & CONTINUOUS

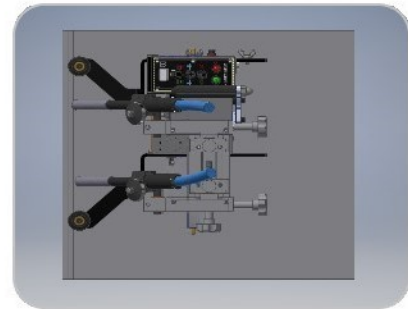
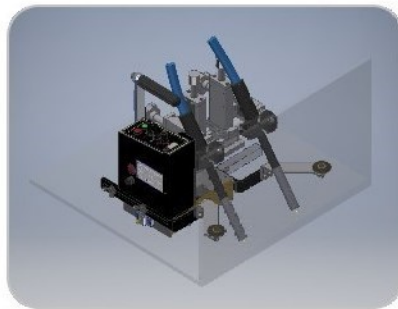
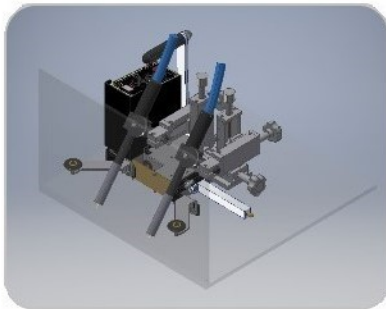
## APPEARANCE



## FEATURES

- Dual torch, floor driving for Tandem fillet welding
- Stitch & continuous welding
- X-Y slider helps setting torch widely
- Both mechanized & manual torches useful.
- Max pulling power of magnet 20kgf and travels Max. 30° climbable.
- Limit switches stop the travel automatically.
- Crate filling time at the beginning and ending of the welding can be controlled for 0~3 seconds.
- Travel speed in cm/min or inch/min programmable.
- Battery power, 18Vdc 6.0Ah lithium-ion, 10-12Hrs use

## TANDEM FILLET WELDING



MAJOR PARTS	DESCRIPTIONS	SPECIFICATIONS
General	Size in mm(WHL), Weight	Carriage: 380 x 300 x 330, 11.0Kg
		Packing: 360 x 360 x 380, 14.0kg
Traveling Unit	Input source	AC 100-240V, 50-60Hz, 1Phase
	Power unit	Lithium-ion Battery 18Vdc 6.0Ah 10-12Hrs use
	Reducer	24Vdc, 10W, 5,000rpm
	Speed	1:624
	Power transmission	0~860mm/min
X-Y-Z slide	Magnet location	4 wheels chain driven
	X-slide stroke	Bottom on the carriage
	Y-slide stroke	0~50mm
	Z-slide stroke	0~50mm
	Torch adjustable angle	0-90°