

KW-FU2-A/B [A:AC , B:Battery]

FILLET-WELDER FOR U-RIB, STITCH & CONTINUOUS

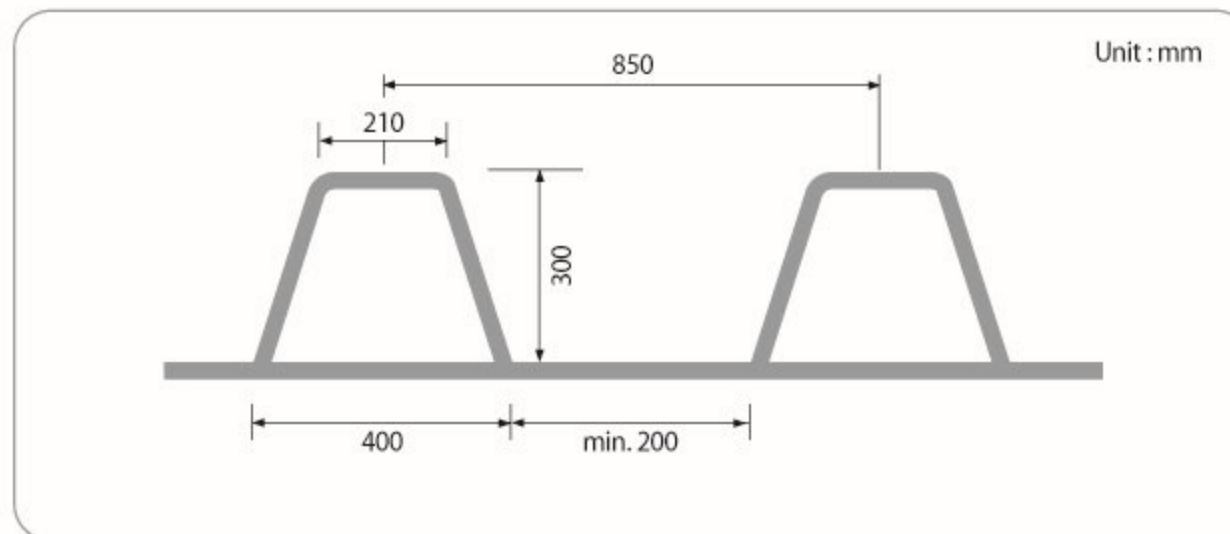
APPEARANCE



FEATURES

- Dual torches fillet welder for U-RIB profile.
- Adjustable the height of carriage's ARM to the work piece. Stitch & Continuous welding.
- Both mechanized and manual torch usable be applicable.
- Other dimensions available.
- *Battery, Li-Ion 18V 4Ah 8-10 Hrs use

WORKPIECE DIMENSION



MAJOR PARTS	DESCRIPTIONS	SPECIFICATIONS
General	Size in mm(WHL), Weight	Carriage: 750 x 270 x 650, 12.5Kg
	Input voltage	AC 100-240V, 50-60Hz, 1 Phase Battery, Li-Ion 18V 4Ah, 10Hrs
Traveling unit	Motor	24Vdc, 10W, 5,000rpm
	Reducer	1:624 (gear ratio 1:1)
	Speed	0~860mm/min
	Mechanism	4 wheels chain driven
X-Y slider	X-slide stroke	0~50mm
	Y-slide stroke	0~50mm